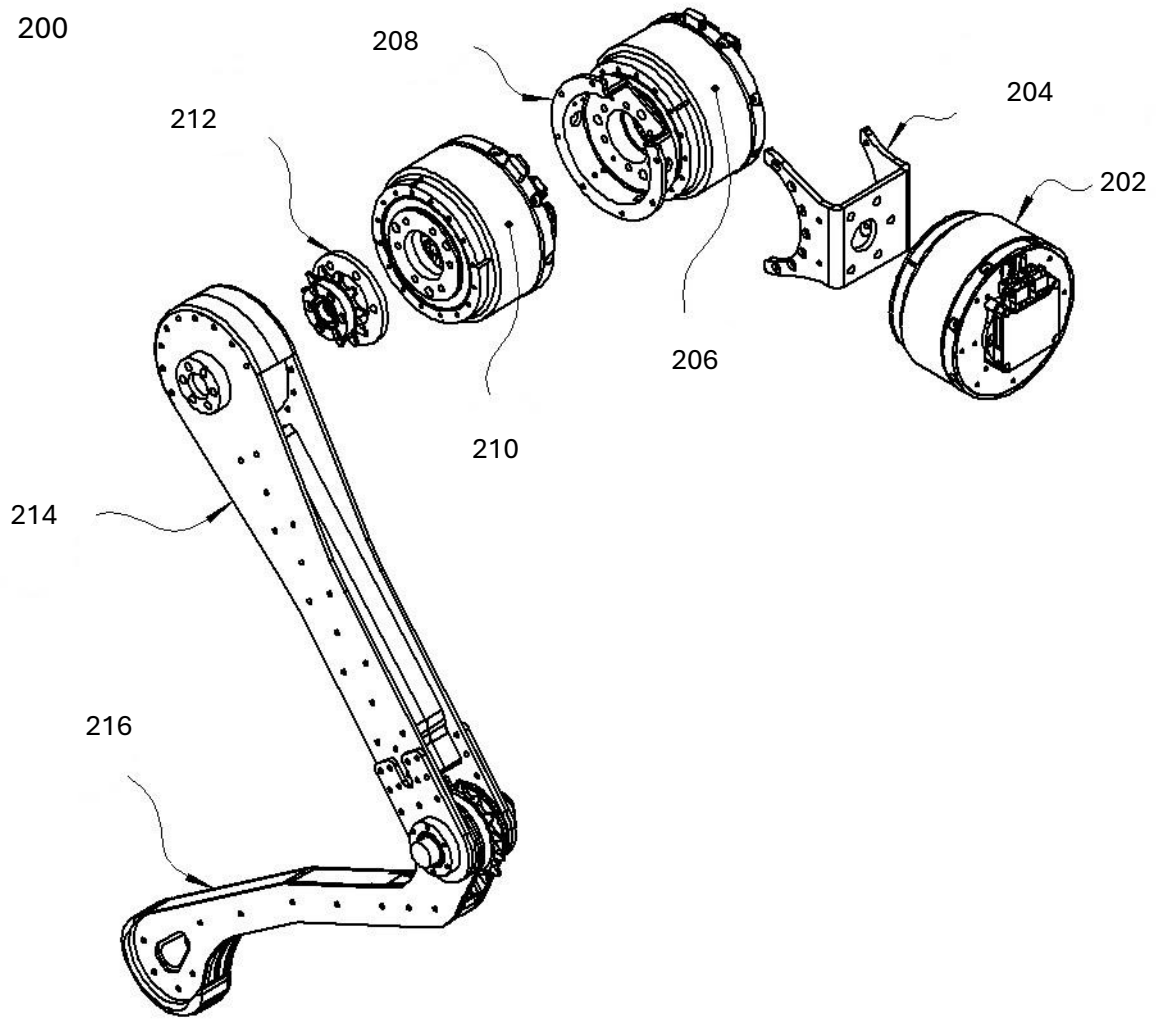


**FIG.1**

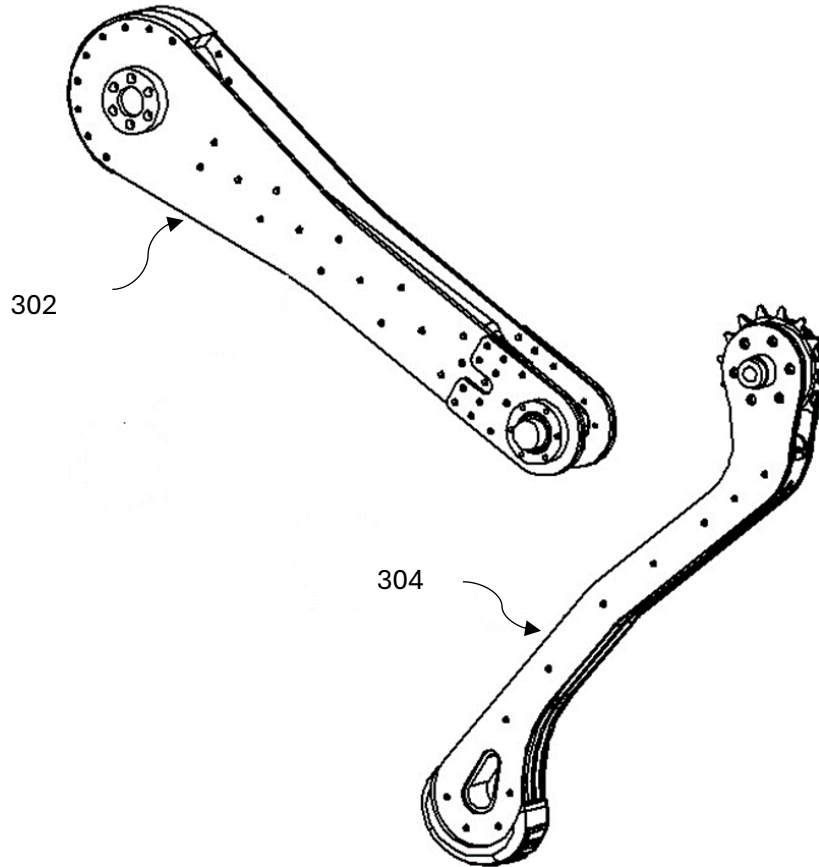
**Revanth Diwakar K**  
IN/PA- 4619  
OF K&S PARTNERS  
AGENT FOR THE APPLICANT



**FIG.2**

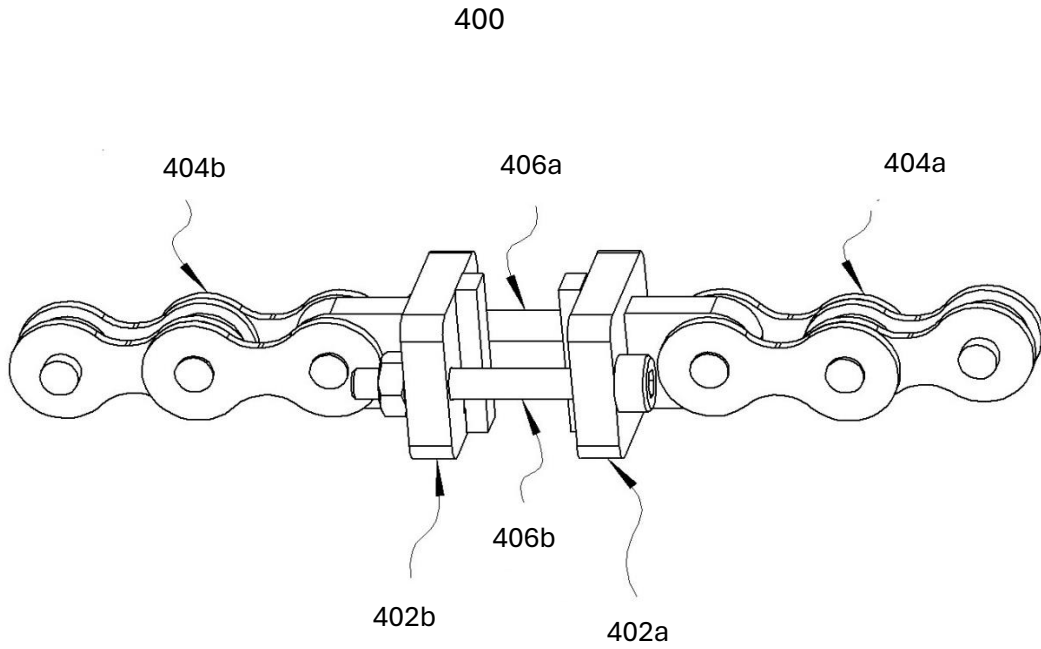
**Revanth Diwakar K**  
IN/PA- 4619  
OF K&S PARTNERS  
AGENT FOR THE APPLICANT

300



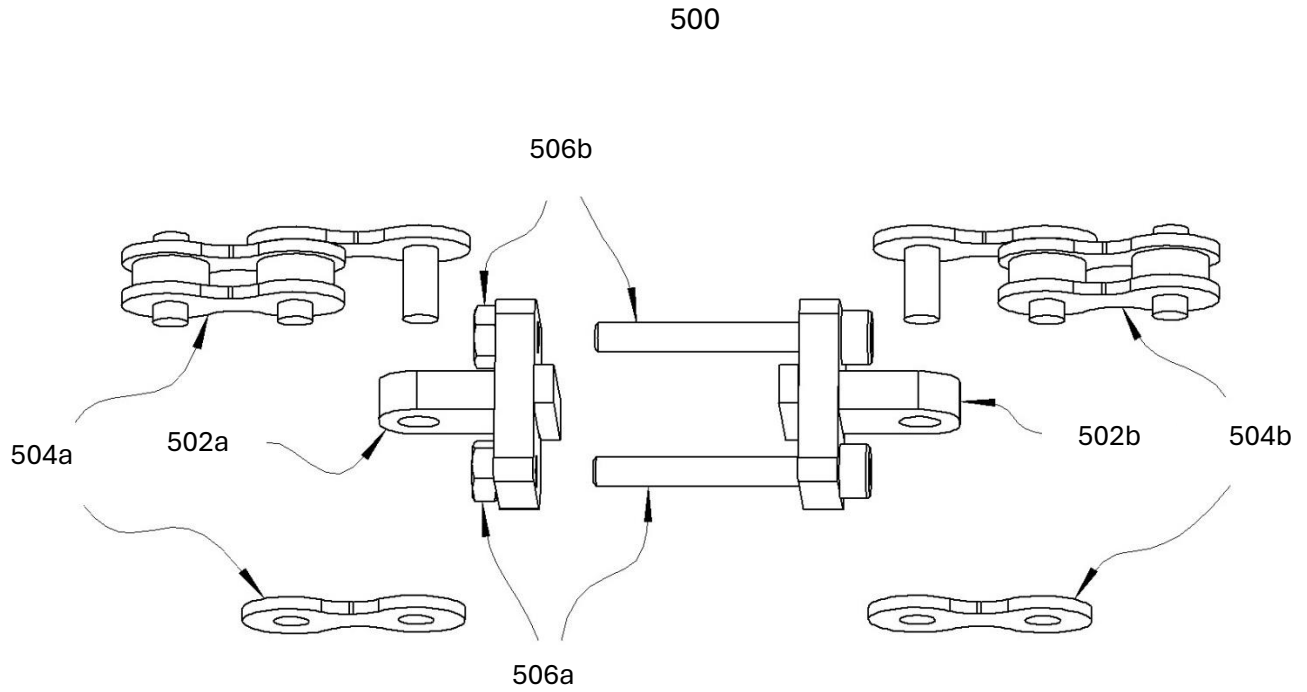
**FIG.3**

**Revanth Diwakar K**  
IN/PA- 4619  
OF K&S PARTNERS  
AGENT FOR THE APPLICANT



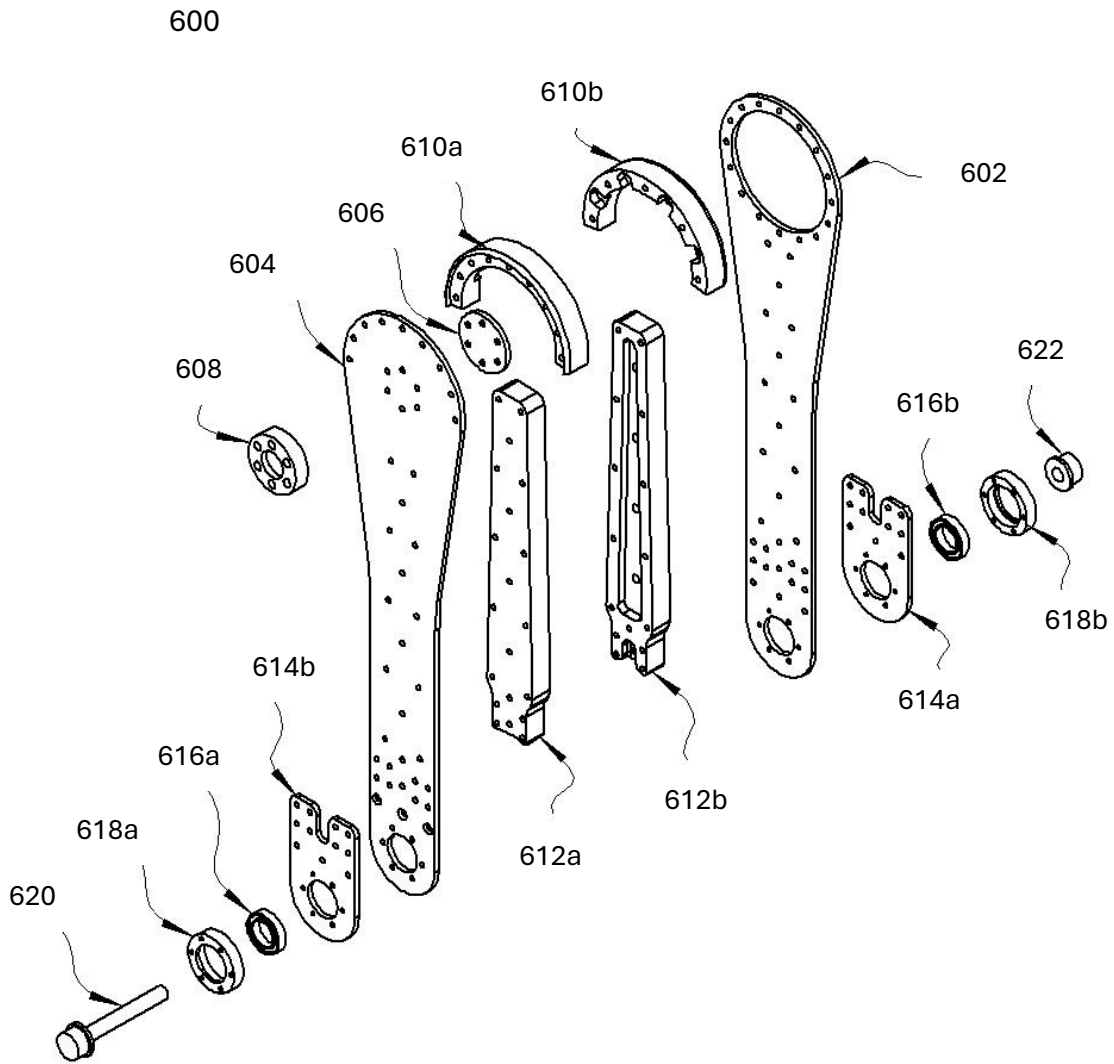
**FIG.4**

**Revanth Diwakar K**  
IN/PA- 4619  
OF K&S PARTNERS  
AGENT FOR THE APPLICANT



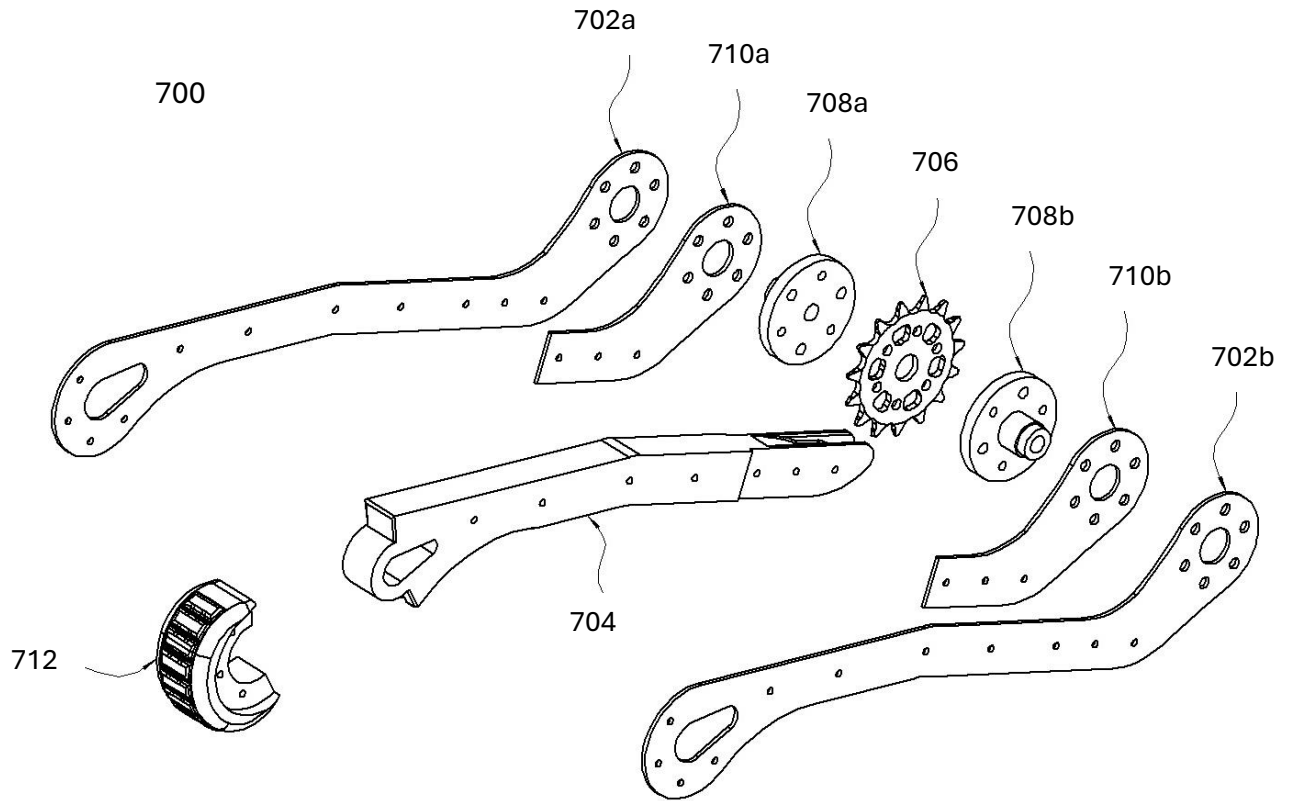
**FIG.5**

**Revanth Diwakar K**  
IN/PA- 4619  
OF K&S PARTNERS  
AGENT FOR THE APPLICANT



**FIG.6**

**Revanth Diwakar K**  
IN/PA- 4619  
OF K&S PARTNERS  
AGENT FOR THE APPLICANT



**FIG.7**

**Revanth Diwakar K**  
IN/PA- 4619  
OF K&S PARTNERS  
AGENT FOR THE APPLICANT